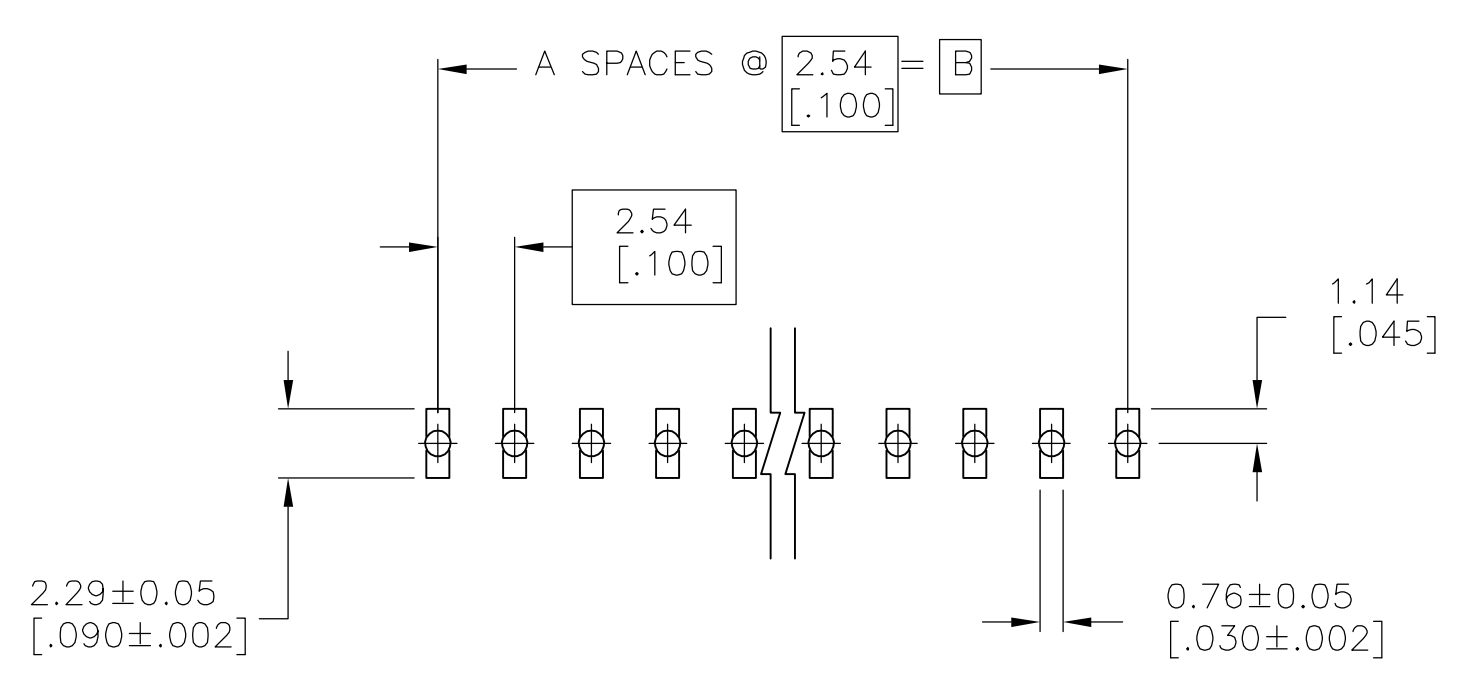
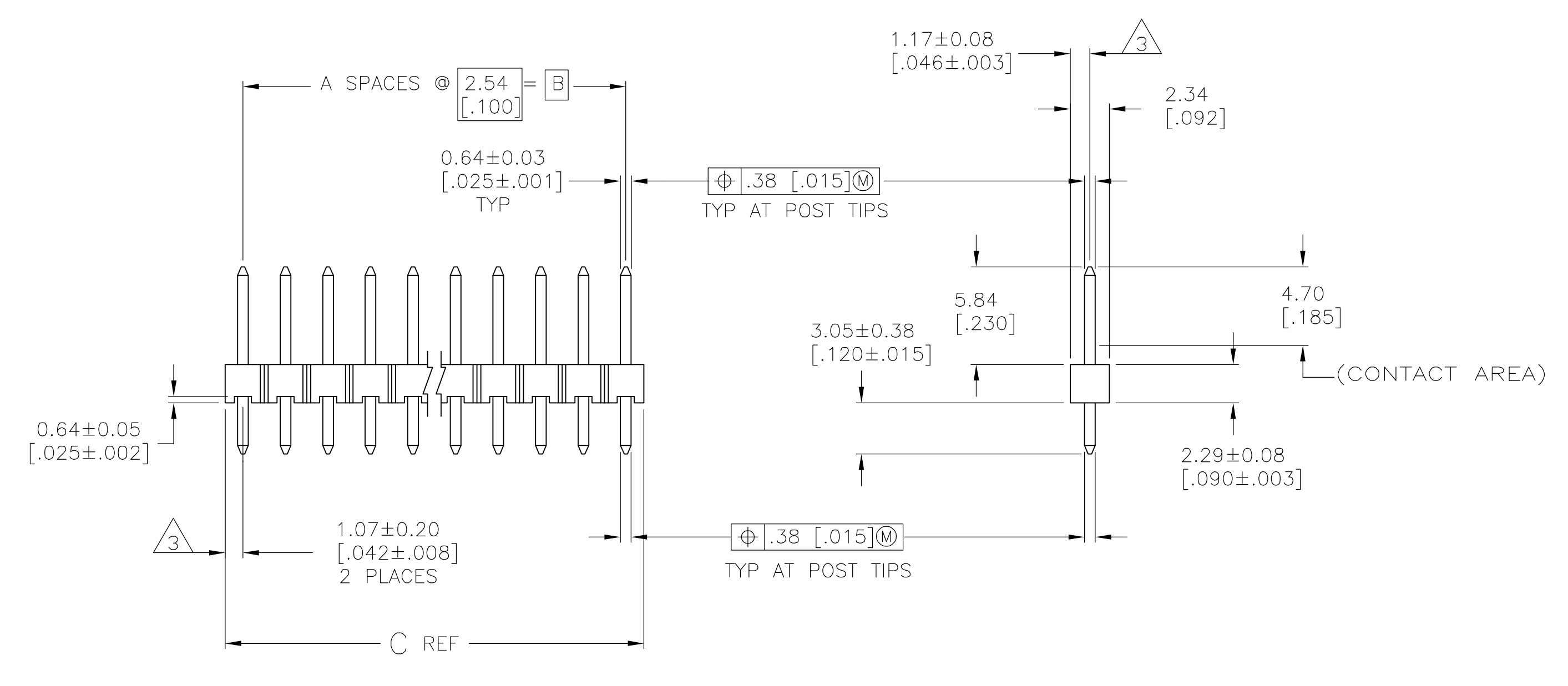


- ASSEMBLY MAY BE BROKEN TO THE DESIRED NUMBER OF POSITIONS
- TRUE POSITION TOLERANCE OF THE POST TIPS APPLIES WHEN THE HEADER IS HELD FLAT AGAINST THE PRINTED CIRCUIT BOARD
- THE NOTED DIMENSIONS APPLY AT THE INTERSECTION OF THE POST AND HOUSING
- PLATING: 0.00254-0.00508 [.000100-.000200] MATTE TIN LEAD, OVER 0.00127 [.000050] NICKEL.
- HOUSING: LCP, COLOR-BLACK. POSTS: PHOSPHOR BRONZE
- PLATING: 0.00254-0.00508 [.000100-.000200] MATTE TIN OVER 0.00127 [.000050] NICKEL.



RECOMMENDED PC BOARD MOUNTING DIMENSIONS FOR .063 [.160] THICK PC BOARD AND .012 [.305] STENCIL THICK.

PLATING	C	B	A	NO. OF POSITIONS	PART NUMBER
6	101.19	99.06	39	40	9-146278-0
6	98.65	96.52	38	39	8-146278-9
6	96.11	93.98	37	38	8-146278-8
6	93.57	91.44	36	37	8-146278-7
6	91.03	88.90	35	36	8-146278-6
6	88.49	86.36	34	35	8-146278-5
6	85.95	83.82	33	34	8-146278-4
6	83.41	81.28	32	33	8-146278-3
6	80.87	78.74	31	32	8-146278-2
6	78.33	76.20	30	31	8-146278-1
6	75.79	73.66	29	30	8-146278-0
6	73.25	71.12	28	29	7-146278-9
6	70.71	68.58	27	28	7-146278-8
6	68.17	66.04	26	27	7-146278-7
6	65.63	63.5	25	26	7-146278-6
6	63.09	60.96	24	25	7-146278-5
6	60.55	58.42	23	24	7-146278-4
6	58.01	55.88	22	23	7-146278-3
6	55.47	53.34	21	22	7-146278-2
6	52.93	50.80	20	21	7-146278-1
6	50.39	48.26	19	20	7-146278-0
6	47.85	45.72	18	19	6-146278-9
6	45.31	43.18	17	18	6-146278-8
6	42.77	40.64	16	17	6-146278-7
6	40.23	38.10	15	16	6-146278-6
6	37.69	35.56	14	15	6-146278-5
6	35.15	33.02	13	14	6-146278-4
6	32.61	30.48	12	13	6-146278-3
6	30.07	27.94	11	12	6-146278-2
6	27.53	25.40	10	11	6-146278-1
6	24.99	22.86	9	10	6-146278-0
6	22.45	20.32	8	9	5-146278-9
6	19.91	17.78	7	8	5-146278-8
6	17.37	15.24	6	7	5-146278-7
6	14.83	12.70	5	6	5-146278-6
6	12.29	10.16	4	5	5-146278-5
6	9.75	7.62	3	4	5-146278-4
6	7.21	5.08	2	3	5-146278-3
6	4.67	2.54	1	2	5-146278-2
6	2.13	-	0	1	5-146278-1

PLATING	C	B	A	NO. OF POSITIONS	PART NUMBER
4	101.19	99.06	39	40	4-146278-0
4	98.65	96.52	38	39	3-146278-9
4	96.11	93.98	37	38	3-146278-8
4	93.57	91.44	36	37	3-146278-7
4	91.03	88.90	35	36	3-146278-6
4	88.49	86.36	34	35	3-146278-5
4	85.95	83.82	33	34	3-146278-4
4	83.41	81.28	32	33	3-146278-3
4	80.87	78.74	31	32	3-146278-2
4	78.33	76.20	30	31	3-146278-1
4	75.79	73.66	29	30	3-146278-0
4	73.25	71.12	28	29	2-146278-9
4	70.71	68.58	27	28	2-146278-8
4	68.17	66.04	26	27	2-146278-7
4	65.63	63.5	25	26	2-146278-6
4	63.09	60.96	24	25	2-146278-5
4	60.55	58.42	23	24	2-146278-4
4	58.01	55.88	22	23	2-146278-3
4	55.47	53.34	21	22	2-146278-2
4	52.93	50.80	20	21	2-146278-1
4	50.39	48.26	19	20	2-146278-0
4	47.85	45.72	18	19	1-146278-9
4	45.31	43.18	17	18	1-146278-8
4	42.77	40.64	16	17	1-146278-7
4	40.23	38.10	15	16	1-146278-6
4	37.69	35.56	14	15	1-146278-5
4	35.15	33.02	13	14	1-146278-4
4	32.61	30.48	12	13	1-146278-3
4	30.07	27.94	11	12	1-146278-2
4	27.53	25.40	10	11	1-146278-1
4	24.99	22.86	9	10	1-146278-0
4	22.45	20.32	8	9	146278-9
4	19.91	17.78	7	8	146278-8
4	17.37	15.24	6	7	146278-7
4	14.83	12.70	5	6	146278-6
4	12.29	10.16	4	5	146278-5
4	9.75	7.62	3	4	146278-4
4	7.21	5.08	2	3	146278-3
4	4.67	2.54	1	2	146278-2
4	2.13	-	0	1	146278-1

THIS DRAWING IS A CONTROLLED DOCUMENT. DWN T. HOFFMAN 23 MAY 95
 CHK G. DUBNICZKI 07 JUN 95
 APPO G. DUBNICZKI 07 JUN 95

TOLERANCES UNLESS OTHERWISE SPECIFIED:
 0 PLC ± -
 1 PLC ± .01
 2 PLC ± 0.51[.02]
 3 PLC ± 0.127[.005]
 4 PLC ± 0.0127[.0005]
 ANGLES -
 MATERIAL FINISH SEE TABLE

PRODUCT SPEC -
 APPLICATION SPEC -
 WEIGHT -
 CUSTOMER DRAWING

tyco
 Electronics
 Tyco Electronics Corporation
 Harrisburg, Pa 17105-3608

NAME
 HEADER ASSEMBLY, MOD II, BREAKAWAY,
 SINGLE ROW, HIGH TEMPERATURE,
 VERTICAL, W/.025 SQ. POSTS

SIZE CAGE CODE DRAWING NO RESTRICTED TO
 A1 00779 146278 -
 SCALE 4:1 SHEET 1 OF 1 REV G